

AMERICAN COOLING TECHNOLOGY, Inc.

ADVANCED BUS AIR CONDITIONING



CR-3 CONDENSER

THE A.C.T. **CR-3** CONDENSER IS DESIGNED FOR ROOF MOUNT APPLICATIONS. WE HAVE MANUFACTURED THIS UNIT TO OFFER OUR CUSTOMERS GREATER FLEXIBILITY IN CONDENSER PLACEMENT.

IT'S LOW PROFILE, LIGHT WEIGHT ALUMINUM STRUCTURE, (TOTAL WEIGHT ONLY 45 LBS.), ENHANCED AIR FLOW, PERFORMANCE, SERVICABILITY, AND INSTALLATION EASE ARE THE RESULT OF MANY YEARS OF EXPERIENCE IN THIS INDUSTRY.



ADVANCED FEATURES

- Powder Coated White
- Highgrade, Lightweight, Rust Proof Aluminum
- Internally Enhanced Rifled Copper Tubing Increases System Performance
- Unequalled Heat Rejection....
 - Lower Cooling Temperatures
 - Lower Head Pressures
- No External Fittings
- 12 Inch Diameter Fan For Increased Airflow
- Sealed Motor Design
- Sealed Electrical Connections

OPTIONS

- Optional Mounting Rails for Curved or Flat-top Roofs
- Tubular Aluminum Brush Guard
- Optional 30 Cu. In. Filter Drier
- 12 Volt or 24 Volt Motors
- Winter Protection Kit

**2 YEAR
LIMITED WARRANTY**

SPECIFICATIONS

RATING: 78,000 Btu/Hr (19,657 kcal)

AIRFLOW: 3690 cfm (6254 m³/hr)

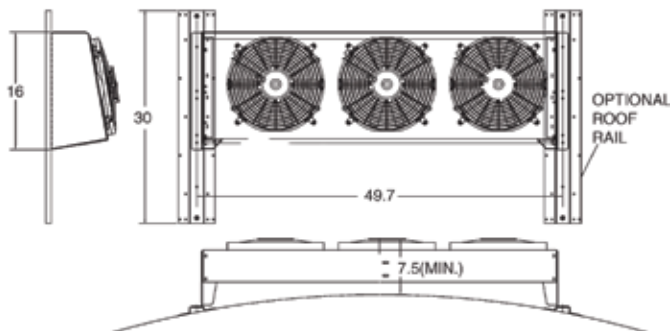
AMPERAGE DRAW: 32@ 13.5 Volts

16@ 27 Volts

**CONDENSER FANS: 12 Inch Diameter,
Sealed Motor**

**FILTER DRIER/SIGHTGLASS: 16 Cu. Inch
Displacement w/Moisture Indicator**

WEIGHT: 45 lbs.



AMERICAN COOLING TECHNOLOGY, Inc.

715 Willow Springs Lane, York, PA 17406

Tel: 717-767-2775 Fax: 717-767-3658

www.americancoolingtechnology.com

Toll Free: 877-228-4247



RELY ON OUR EXPERIENCE TO PROPERLY APPLY YOUR BUS AIR CONDITIONING SYSTEM